

*for all dental labs*



# HIGH PRECISION MICROMOTOR

- ▶ G7 High performance micro grinder
- ▶ G3 Portable rechargeable micro grinder
- ▶ UP500/UG33/VC60 and UP210
- ▶ Brushless Spindle Motor for CAD/CAM System

## G7 High performance micro grinder

The High performance micro grinder G7 offer more comfortable work than ever. The newly developed controller with micro computer and handpiece with hand switch provide functional and user-friendly operation.



G7 Controller		
<b>Model</b>	UP901(120V)	UP903(230V)
<b>Rated Input</b>	AC120V 60Hz	AC230V 50Hz
<b>Dimension</b>	W 200 x D 180 x H 100 mm	
<b>Weight</b>	2.3 kgs.	

G7 Handpiece	
<b>Model</b>	UG43A
<b>MAX R.P.M.</b>	35,000 r.p.m
<b>Dimension</b>	φ28mm(Max) x L 157mm
<b>Weight</b>	220g



**Micro Computer**  
Smooth and comfortable operation by the newly developed controller with built in micro computer.

**Hand Switch**  
No longer necessary to reach out controller for start and stop rotation.

**High Precision**  
URAWA Micro grinder is very low vibration, and high performance on the every works.

**Load Indicator**  
8 steps load indicator allows operator to see the condition clearly. For longer life time, it will be cautioned for overwork.

**Auto Cruise**  
It is possible to fix the rotation speed when using foot pedal. No more necessary to keep stepping the foot pedal.

**Dust Protection**  
The new mechanism prevents more dust than ever, and this helps longer life time of ball bearings.

**Digital Display**  
2 digit rotation speed and also Error code will be displayed. It is convenient for adjusting the speed and for trouble shooting.

**Easy Carrying**  
Carrying handle on the top of the controller and handpiece hanger on the side for taking anywhere to use.

**Easy Tool Changing**  
Simple and easy tool changing. Only turning set ring with a bit of force.

## G3 Portable rechargeable micro grinder

Extremely portable, URAWA micromotor G3 only weighs 250g/0.55lb. It is possible to carry the unit anyplace you wish to use. A two (2) hour charge allows approximately 5 hours of operation. The system may also be used while the battery being charged.



Wide range of colors.



G3 Controller	
<b>Model</b>	DC10
<b>Output</b>	DC2~DC12V
<b>Dimension</b>	W65 x D137 x H37mm
<b>Weight</b>	250g

G3 Handpiece	
<b>Model</b>	DM12
<b>Max R.P.M.</b>	20,000 r.p.m.
<b>Dimension</b>	φ24mm(Max) x L129mm
<b>Weight</b>	170g

## UP500/UG33/VC60 and UP210

UP500/UG33/VC60 and Compact controller UP210 have been received reputation of long standing.



UP500 Controller		
<b>Model</b>	UP501(120V)	UP503(230V)
<b>Output</b>	DC3~DC30V	
<b>Dimension</b>	W 170 x D195 x H105mm	
<b>Weight</b>	2.4kgs.	

UG33 Handpiece	
<b>Model</b>	UG33
<b>Max R.P.M.</b>	35,000 r.p.m.
<b>Dimension</b>	φ 28.8mm(Max) x L162mm
<b>Weight</b>	190g

UP210 Controller		
<b>Model</b>	UP211(120V)	UP213(230V)
<b>Output</b>	DC3~DC30V	
<b>Dimension</b>	W 130 x D132 x H87mm	
<b>Weight</b>	1.7kgs.	

## Brushless Spindle Motor for CAD/CAM System

2 types of spindle motor, Self cooling type and Air supplying type for various demands. Suitable for precise milling operation of CAD/CAM system with very low vibration.



BM14 Spindle motor	
<b>Model</b>	BM14
<b>Max R.P.M.</b>	40,000 r.p.m.
<b>Dimension</b>	φ 30mm(Max) x L161mm
<b>Weight</b>	540g






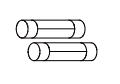
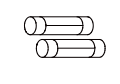
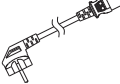

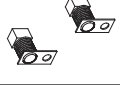
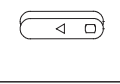
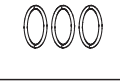

BP830 Controller	
<b>Model</b>	BP830
<b>Air pressure</b>	0.1~0.3MPa
<b>Dimension</b>	W 260 x D206 x H68 mm
<b>Weight</b>	1.7 kgs.

BA14 Spindle motor	
<b>Model</b>	BA14
<b>Max R.P.M.</b>	40,000 r.p.m.
<b>Dimension</b>	φ 30mm(Max) x L174mm
<b>Weight</b>	580g

※Compressed air is necessary for BA14 spindle motor.






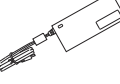




## G7








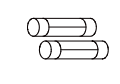
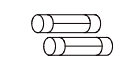

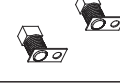
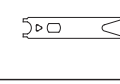
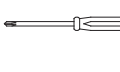
PRODUCTS	MODEL	ITEM NO.
	G7 Controller 230V	UP903-91
	G7 Controller 120V	UP901-91
	G7 Motor Handpiece	UG43A-91-3
	G7 Foot Controller	VC90-90
	Motor Hanger x 2	MC15-790
	Spare Fuse x 2 230V	UF-0.8-1
	Spare Fuse x 2 120V	UF-0.8-1
	AC Cord 2.5m 230V	AC17-200
	AC Cord 2.0m 120V	AC17-100
	Carbon Brush x 2	PKE60-101A
	Spanner x 2	KP30-101
	Rubber Ring x 3	OS10-301
	Motor Stand	KP91-109

※ The specifications and designs in this catalogue are subject to change without notice.  
 ※ According to the printings of pictures, there may be a slight difference between pictures and real products.

## G3

PRODUCTS	MODEL	ITEM NO.
	G3 Controller White 230V & 120V	DC10-90
	G3 Controller Black 230V & 120V	DC10-90-0
	G3 Controller Red 230V & 120V	DC10-90-12
	G3 Controller Pink 230V & 120V	DC10-90-2
	G3 Controller Gold 230V & 120V	DC10-90-4
	G3 Controller Silver 230V & 120V	DC10-90-8
	G3 Motor Handpiece	DM12-90
	Carrying Bag	YY-DB300
	Adapter	A142A089001-1
	AC Cord 230V	AC17-211
	AC Cord 120V	AC17-111
	Carbon Brush x 2	PKE-560A
	Spanner	KP-502
	Screw Driver	NO45-C
	Motor Stand	KP91-109

## UP500 / UG33 / VC60 & UP210

PRODUCTS	MODEL	ITEM NO.
	UP500 Controller 230V	UP503C-91
	UP500 Controller 120V	UP501C-91
	UP210 Controller 230V	UP213C-91
	UP210 Controller 120V	UP211-91
	UG33 Motor Handpiece	UG33-91
	UE23 Micro Motor for E-Type	UE23-91
	VC60 Foot Controller	VC60-90
	Spare Fuse x 2 230V	UF-1A-S
	Spare Fuse x 2 120V	UF-2A
	Motor Stand	KP91-108
	Carbon Brush x 2	PKE-570G
	Spanner	KP-615A
	Screw Driver	NO45-C

## Brushless Spindle Motor

PRODUCTS	MODEL	ITEM NO.
	BP830 Controller	BP830-90
	BM14 Spindle Motor	BM14-90
	BA14 Spindle Motor	BA14-90
	AC Cord	AC17-000
	Spanner x 2	KP37-101

**URAWA URAWA CORPORATION**

12 Kawarai-cho, Kuki-shi, Saitama-ken, 346-0028 Japan

TEL : +81-480-24-1751 FAX : +81-480-22-0915

E-MAIL : hpstaff@urawa.co.jp Web-Site : www.urawa.co.jp