

NAIL FILING SYSTEM SUPER UP200 Controller

INSTRUCTION MANUAL

- We thank you for your purchasing our products.
- Please read this instruction before practical operation.
- Please keep this instruction close to the people who are going to use the appliance.

* CONTENTS *

1. APPLICATIONS	2 PAGE
2. PRECAUTIONS	2
2.1 Clothes while at work	2
2.2 Safety Operation	2
2.3 Precautions while at work	3
2.4 Maintenance and inspection	3
3. PARTS IDENTIFICATION / CONNECTION	4
4. OPERATION	5
5. SAFETY SYSTEM	6
5.1 Circuit Breaker	6
6. HANDPIECE HOLDER ADJUSTMENT	6
7. SPECIFICATIONS	7

1. APPLICATIONS

- * To control the micro-motor handpiece only.
Not possible to be used for the other applications.
- * For every nail filing (forming, buffing, sculptured, pierce drilling etc.)
Do not use the unit for the other applications.

2. PRECAUTIONS

- * The following precautionary articles show how you operate our products safe and right, which prevents you from any danger or damage before happens.
- * Never fail obeying to any article, in which crucial and important matters are shown concerning safety.



WARNING

This symbol indicates the possibility of being dead or wounded seriously for men if our products are operated by mistake regardless of this instruction.



CAUTION

This symbol indicates the possibility of being hurt for men or generating material damages if our products are operated by mistake regardless of this instruction.

2.1 Clothes while at work

WARNING

- * Please work in due order. Knitted gloves, clothes with open cuffs and long hairs are in danger of being caught in a machine.

CAUTION

- * Please put goggles on not to enter dusts and grits into eyes. In addition, please put a protection mask on not to inhale dusts and grits.

2.2 Safety Operation

WARNING

- * Please use Appliances in a place where the temperature is from 0 to 40 °C and the relative humidity is from 20 to 80% (no dew condensation). Please never use them, either in humid, wet places and outdoors in the rain. It may invite electric shock or fire, weaken insulation and cause rust and bad operation.
- * Do not use absolutely in any place where there are flammable or explosive materials such as lacquer, paints, thinner, gasoline, gas and adhesives.
- * Also, ensure that there is no flammable and no corrosive gas areas.

- * Please do not damage the AC cord and Motor Cord to prevent electric leakage and shock or fire.

⚠CAUTION

- * Please work in a clean and full space and use Appliances in well orderly areas not to stumble over cords.
- * Please do not place a cloth or anything else on the ventilation slits of Appliance. Also, please avoid using while any dust is attached around the ventilation outlet.
- * Please take care not to allow any alien substances such as water, oil, and dust into Appliances.
- * Please do not blow something like compressed air into ventilation slits of Appliance.
- * Please pull the AC plug out from the receptacle when not operated.
- * Please keep Appliances in well dried areas.
- * Please keep Appliances in a place not to be reached by Children.
- * Please never make any modification, which may damage original performance and safety.
- * Please keep you from breaking down and adjusting the Appliance by yourself.

2.3 Precautions while at work

⚠WARNING

- * Please never fail using Controller under the voltage indicated on the panel.

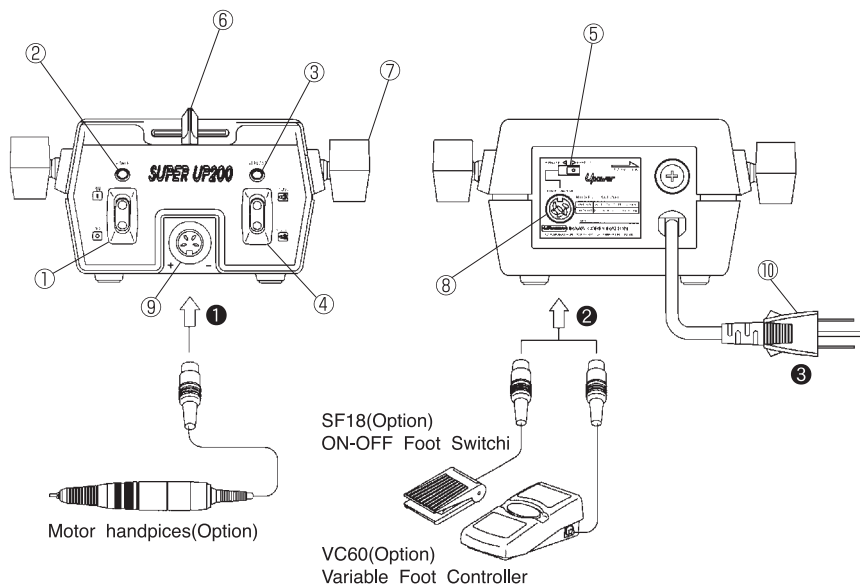
⚠CAUTION

- * Please stop the operation if any bad rotation or other abnormal movement is found out while at work.
- * Please ensure that any tool should be well chucked and after adjusting the speed control knob on the controller to the left [MIN]. After then, please switch the power on and increase rotation speed gradually.
- * Please take care not to drop Controller especially.

2.4 Maintenance and inspection

- * When dirt is found eminently, remove it with a cloth dipped in a detergent solution in water and well wrung. After then, wipe with a dry duster.
- * Periodical inspection is recommended every 1 or 2 years to use the appliance safely and efficiently. Please consult your supplier for the service.

3. PARTS IDENTIFICATION / CONNECTION



- | | | |
|-----------------------------|-------------------------|--------------------|
| ① Power Switch | ② Pilot Lamp | ③ Overload Lamp |
| ④ Rotation Selection Switch | ⑤ Mode Selection Switch | ⑧ Foot Switch Jack |
| ⑥ Speed Control Knob | ⑦ Handpiece Holder | |
| ⑨ Output Jack | ⑩ AC Plug | |

*Make it sure that each switch or knob on Controller should be on the following positions:

POWER [OFF]
 SPEED CONTROL [MIN]
 MODE [DIRECT]

- ①. Connect the Handpiece to Output Jack.
- ②. If required, connect the ON-OFF Foot Switch (FS18) or Variable Foot Controller (VC60).
- ③. Ensure that the Power Switch is turned off before connecting the AC plug to the power supply.

4. OPERATION

Manual Operation

- (1) Turn the Mode Selection Switch ⑤ to the DIRECT position.
- (2) Turn the Rotation Selection Switch ④ to either FORWARD or REVERSE position.
- (3) When the Power Switch ① is turned on, the Pilot Lamp ② will light up.
- (4) Then, Motor handpiece will start to rotate.
The speed is controlled by adjusting the Speed Control knob ⑥.

Operation with Foot switch or Foot Controller

- (1) Turn the Mode Selection Switch ⑤ to the REMOTE position.
 - (2) Turn the Rotation Selection Switch ④ to either FORWARD or REVERSE position.
 - (3) When the Power Switch ① is turned on, the Pilot Lamp ② will light up.
 - (4) To use the ON-OFF Foot Switch (Type FS18) : When pedaled on, handpiece starts to rotate but when released, it stops. The speed is controlled by adjusting the Speed Control Knob ⑥.
When using the Variable Foot Controller (Type VC60) : vary the speed of the Handpiece by adjusting the pressure applied to the Variable Foot Controller.
- ※ When the Motor Handpiece is operating, do not turn the Mode Selection Switch ⑤ or Rotation Selection Switch ④.

5. SAFETY SYSTEM

5.1 Circuit Breaker

The Circuit Breaker will cut off the power to the Handpiece temporarily and the Overload Lamp will light up yellow under the following unusual operating conditions:

- * Motor Handpiece is operated under overloaded condition.
- * Motor Handpiece is locked and is stopped.
- * Set Ring is turned by mistake during operation.

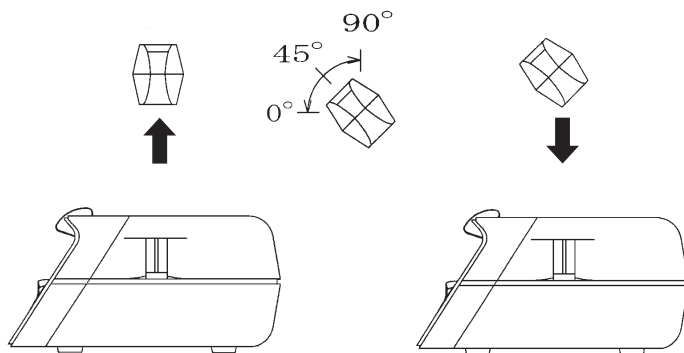
To resume operation of the Motor Handpiece, it is possible to be resumed by the Power Switch as the following orders:

- 1 Slide the Speed Control Knob to the left 「MIN」 position.
- 2 Turn the Power Switch 「OFF」 and make it sure that the Overload lamp lighted yellow has gone out completely.
- 3 Turn the Power Switch 「ON」 and resume the rotation speed gradually to the best speed for your application.

※ When using the ON-OFF Foot Switch or Variable Foot Controller, the rotation of Motor Handpiece will also be resumed operating by stepping again.

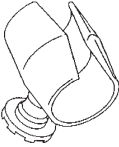
6. HANDPIECE HOLDER ADJUSTMENT

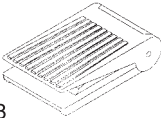

- * Remove the Handpiece Holder by pulling upwards.
- Adjust the angle 45° or 90° and replace.



7. SPECIFICATIONS

Model	SUP201	SUP203/SUP205
Input	AC120V 60Hz 26VA	AC230V 50Hz 26VA
Output	DC 3 - 30V 0.1-0.4A	
Dimensions	w 130mm × d 162mm × h 85mm	
Weight	1.5 kg	

Standard Accessories	
<p>Handpiece Holder 2 pieces (KP92-108)</p>	

Optional Accessories		
 <p>FS18 ON-OFF Foot Switch</p>	 <p>VC60 Variable Foot Controller</p>	

EU Declaration of Conformity for Instruction manual

Application of Council Directive : 89 / 336 / EEC (Electromagnetic Compatibility)
73 / 23 / EEC (Low Voltage Directive)

Type of Equipment	Power Control Equipment
Model Name	SUP203

Manufacture's Address : 12 Kawarai-cho, Kuki-shi, Saitama-ken, 346-0028 Japan.

Date : February 2004 Signature : *Takashi Ozawa*
Quality management Director : Takashi Ozawa

The specifications and designs in this Instruction manual are subject to change without notice.



IM15-101 0402